

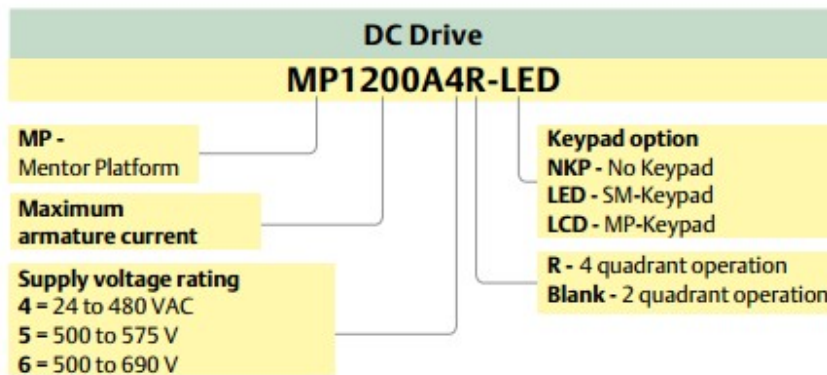
Ratings and dimensions

Model			Frame	Armature Current (A)*	Field Current (A)	Height (H)	Width (W)	Depth (D)	Quadrants of Operation
480V EN / IEC cULus	575V EN / IEC cULus to 600V	690V EN / IEC							
MP25A4(R)	MP25A5(R)	n/a	1A	25	8	17.5 in (444 mm)	11.5 in (293 mm)	8.7 in (222 mm)	2 and 4
MP45A4(R)	MP45A5(R)			45					
MP75A4(R)	MP75A5(R)			75					
MP105A4(R)	MP105A5(R)	n/a	1B	105		17.5 in (444 mm)	11.5 in (293 mm)	9.9 in (251 mm)	2 and 4
MP155A4(R)	MP155A5(R)			155					
MP210A4(R)	MP210A5(R)			210					
MP350A4(R)	MP350A5(R)	MP350A6(R)	2A	350	20	25.2 in (640 mm)	19.5 in (495 mm)	11.9 in (301 mm)	2 and 4
MP420A4(R)	n/a	n/a		420					
n/a	MP470A5(R)	MP470A6(R)		470**					
MP550A4(R)	n/a	n/a		550					
MP700A4(R)	MP700A5(R)	MP700A6(R)	2B	700		25.2 in (640 mm)	19.5 in (495 mm)	11.9 in (301 mm)	2 and 4
MP825A4(R)	MP825A5(R)	MP825A6(R)		825**					
MP900A4(R)	n/a	n/a		900					
MP1200A4	MP1200A5	MP1200A6	2C	1200	20	41.3 in (1,050 mm)	21.9 in (555 mm)	24.1 in (611 mm)	2
MP1850A4	MP1850A5	MP1850A6		1850					
MP1200A4R	MP1200A5R	MP1200A6R	2D	1200		59.4 in (1,510 mm)	21.9 in (555 mm)	24.1 in (611 mm)	4
MP1850A4R	MP1850A5R	MP1850A6R		1850					



*Current ratings are at 104°F (40°C) with 150% overload for 30s. **For this rating at 575V and 690V, 150% overload time is 20s at 104°F (40°C) and 30s at 95°F (35°C). (R) indicates optional order code for 4-quadrant operation.

Order string



Note: 7,400A is achieved by parallel connection of Mentor MP drives.